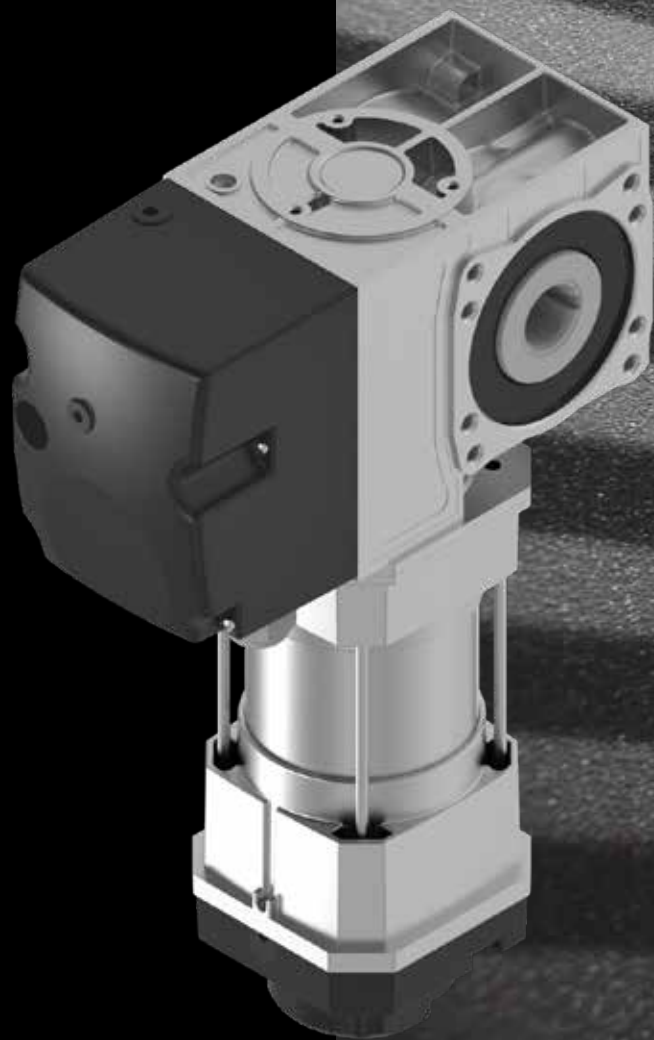


# PRO-LINE CND1

INDUSTRIAL OPERATORS  
CONFIGURED FOR ANY SITUATION



22001

# PRO-LINE CND1

## Industrial operators configured for any situation

When it comes to automatic opening and closing an overhead door, you need an operator on which you can depend: the Pro-Line CND1. A series of powerful operators, specially developed for sectional doors. Thanks to Pro-Line CND1, you are assured of a reliable operator for your industrial door. These operators can easily open large doors of up to 1500 kg.

### Pro-Line CND1 opens any overhead door!

A wide range of possibilities makes the drive unit completely customisable for any situation. An overhead door fitted with a Pro-Line CND1 drive unit is a powerful combination with endless possibilities.

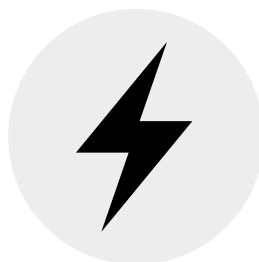
We can now supply you with a complete range - from overhead doors to operators and other individual components - all purchased easily from a single address. At the same time, you are assured of the appropriate CE marking.



Built in Europe



Safe to use



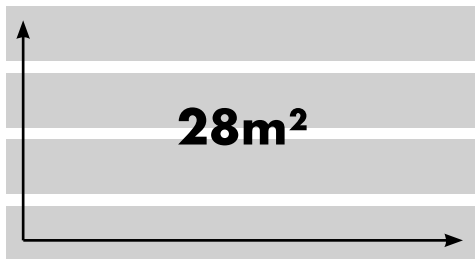
Convenience of automation



## Control of production

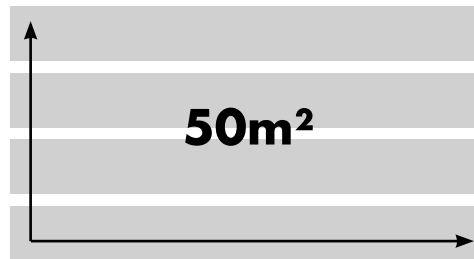
The Pro-Line CND1 operators are produced in-house. This allows us to produce each operator according to the order, giving you flexibility in your choices and options. You simply configure the required operator for each overhead door, with the correct cable lengths and required accessories. Also when ordering the operator as a separate unit, it can be configured entirely to your wishes.

The Pro-Line CND1 operators are classified in terms of door size. The three basic modules are: PL28, PL50 and PL70.



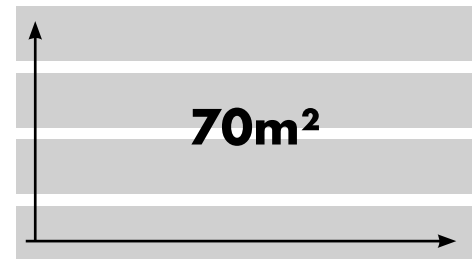
### PL28

The PL28 is a compact workhorse suitable for doors of up to 28m<sup>2</sup> or 450 kg. This operator can optionally be frequencycontrolled in combination with the FU control system.



### PL50

The PL50 is a powerhouse suitable for doors of up to 50m<sup>2</sup> or 585 kg. This operator can optionally be frequencycontrolled in combination with the FU control system.



### PL70

The PL70 is the industrial beast among operators, suitable for doors of up to 70m<sup>2</sup> or 1000 kg. This operator can optionally be frequencycontrolled in combination with the FU control system.



## Preprogrammed

In order to simplify installation of the drive unit and control system as far as possible, all control systems are preprogrammed with the required functions. It is then simply a question of plug and play.

The control system is also extensively tested during this process, in order to guarantee correct operation on site.

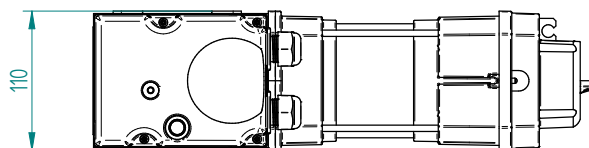
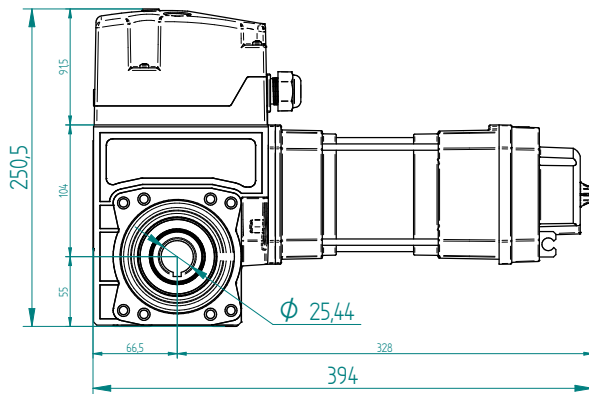
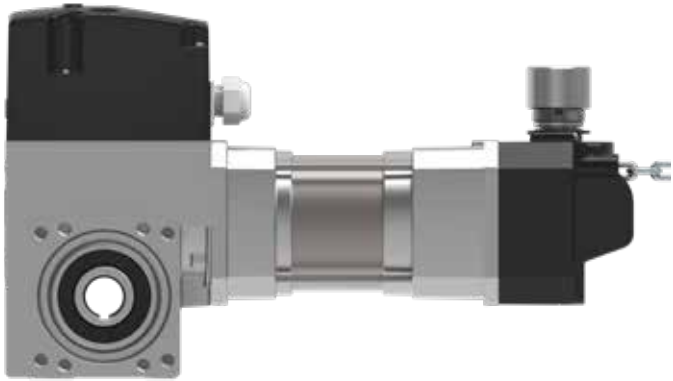
## Operation of the operator

The Pro-Line CND1 operators are operated by means of the CND1 control system. This allows an overhead door to be set and operated by means of illuminated push buttons. The control system has a potential-free relay as standard, with the option to expand to 3. You can also choose to add a receiver, for operation of the operator using hand-held openers.



# Pro-Line 28

The PL28 is a compact workhorse suitable for doors of up to 28m<sup>2</sup> or 450 kg.



## Emergency operation

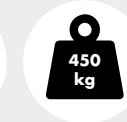
KU	KE
Crank	Chain

E	KE-E
Quick release	Chain & service unlocking

E-KE
Quick release & chain

## Technical specifications

Max. door dimensions	m <sup>2</sup>	28
Max. door leaf weight	kg	450
Power supply	V	3~230/400
Operating frequency	Hz	50
Motor power	kW	0,37
Output speed	rpm	24
Protection class	IP	54
Starting torque	Nm	100
Cycles/Duty cycle	CPH	20/40%
Shaft options	Inch	1"
Control output voltage	V	24
Output current capacity	mA	360
Operating current	A	2,6/1,5
Control supply	V	230/400
Ambient temperature	C°	-5 / +40



## CONTROL SYSTEM CND1

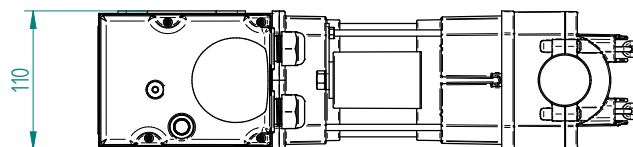
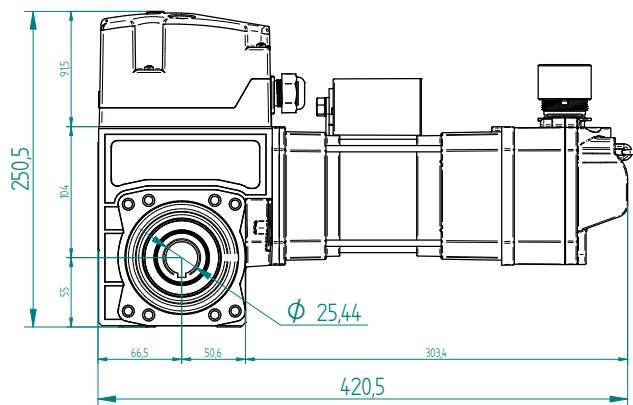
- CEE plug at the control unit with phase inverter
- 2 x slack cable safety device
- CND1 control system with control pendant
- LED display, 1 potential-free relays (can be extended to 3)
- Motor cable length 5 metres
- 5-wire spiral cable, including connection box
- 6-wire connecting cable and 2nd connection box



Control box dimensions:  
305x194x103 mm



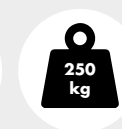
# Pro-Line 28 230V

The PL28 230V is the solution in situations where 400V is not available. Suitable for smaller doors of up to 20m<sup>2</sup> and 250 kg, not used frequently.



Emergency operation	
KU	KE
	
Crank	Chain

Technische specificaties		
Max. door dimensions	m <sup>2</sup>	20
Max. door leaf weight	kg	250
Power supply	V	1~230
Operating frequency	Hz	50
Motor power	kW	0,18
Output speed	rpm	24
Protection class	IP	54
Starting torque	Nm	50
Cycles/Duty cycle	CPH	5/10%
Shaft options	Inch	1"
Capacitor	µf	30
Control output voltage	V	24
Output current capacity	mA	360
Operating current	A	3,7
Control supply	V	230
Ambient temperature	C°	5 / +40



## Control system CND1

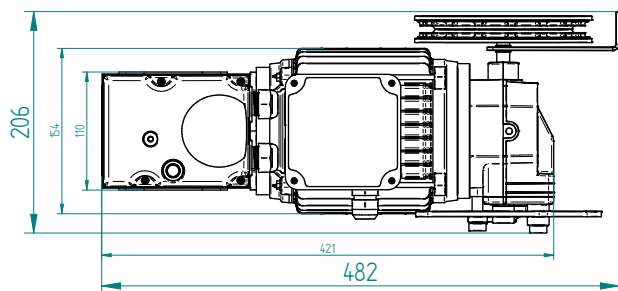
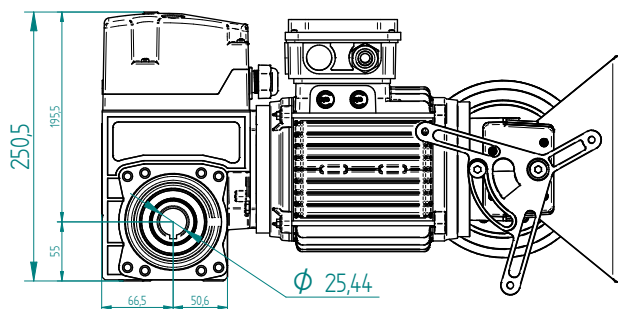
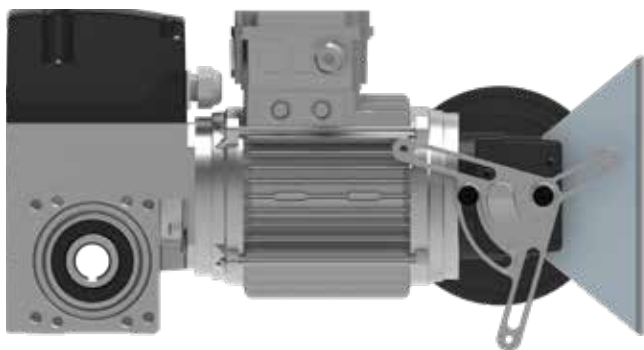
- CEE plug at the control unit
- 2 x slack cable safety device
- CND1 control system with control pendant (can be extended to 3)
- LED display, 1 potential-free relays
- Motor cable length 5 metres
- 5-wire spiral cable, including connection box
- 6-wire connecting cable and 2nd connection box



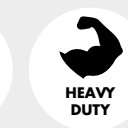
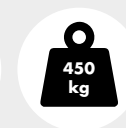
Control box dimensions:  
305x194x103 mm

# Pro-Line 28 80% IP65

The PL28 80% IP65 is the workhorse of the PL28 range, suitable for doors of up to 28 m<sup>2</sup> or 450 kg, used very intensively and/or in wet areas.



Technical specifications		
Max. door dimensions	m <sup>2</sup>	28
Max. door leaf weight	kg	450
Power supply	V	3~ 230/400
Operating frequency	Hz	50
Motor power	kW	0,55
Output speed	rpm	24
Protection class	IP	65
Starting torque	Nm	100
Cycles/Duty cycle	CPH	40/80%
Shaft options	Inch	1"
Control output voltage	V	24
Output current capacity	mA	360
Operating current	A	2,8/1,6
Control supply	V	230/400
Ambient temperature	C°	-5 / +40



## Control system CND 1

- CEE plug at the control unit with phase inverter
- 2 x slack cable safety device
- Closed controls with separate control pendant
- LED display, 1 potential-free relays (can be extended to 3)
- Motor cable length 5 metres
- 5-wire spiral cable, including connection box
- 6-wire connecting cable and 2nd connection box



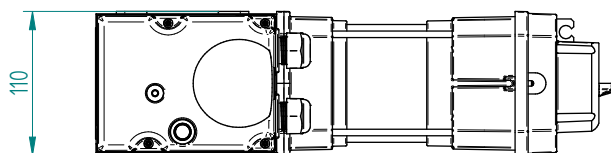
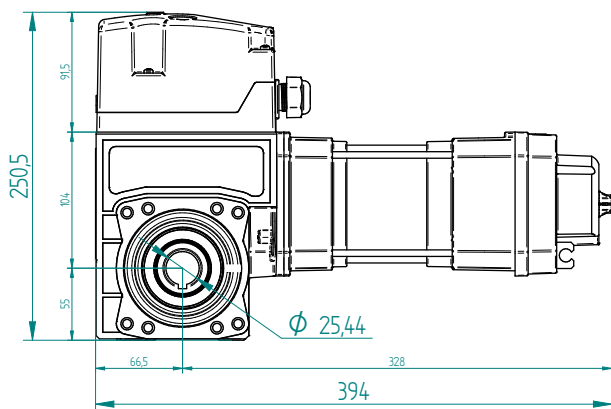
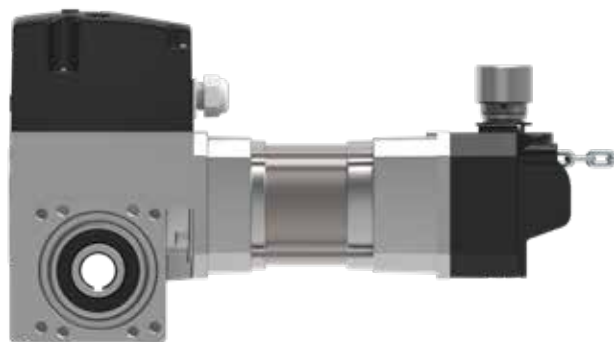
Control box dimensions: 305x194x103 mm



## Emergency operation



KU	KE-Heavy
Crank	Chain


# Pro-Line 28 FU

The PL28 FU is the speedy brother of the standard PL28, suitable for doors of up to 28 m<sup>2</sup> or 450 kg. The frequency controller incorporated in the control box can be variably adjusted and has a soft-start-soft-stop function.

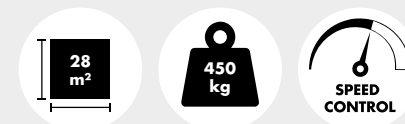


Emergency operation	
KU	KE
	
Crank	Chain

E	KE-E
	
Quick release	Chain & service unlocking

E-KE

Quick release & chain

Technical specifications		
Max. door dimensions	m <sup>2</sup>	28
Max. door leaf weight	kg	450
Power supply	V	1~230
Operating frequency	Hz	25/87
Motor power	kW	0,55
Output speed	rpm	12/42
Protection class	IP	54
Starting torque	Nm	100
Cycles/Duty cycle	CPH	20/40%
Shaft options	Inch	1"
Control output voltage	V	24
Output current capacity	mA	360
Operating current	A	2,6
Control supply	V	230/400
Ambient temperature	C°	-5 / +40



## Control system CND1 FU

- CEE plug at the control unit
- 2 x slack cable safety device
- CND1 FU control system with control pendant
- LED display, 1 potential-free relays (can be extended to 3)
- Motor cable length 5 metres
- 5-wire spiral cable including connection box
- 6-wire connecting cable and 2nd connection box
- Variable frequency control
- Soft start-soft stop function



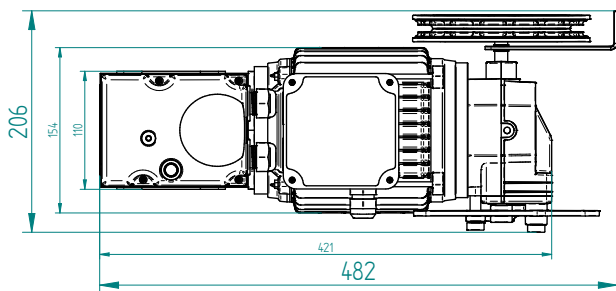
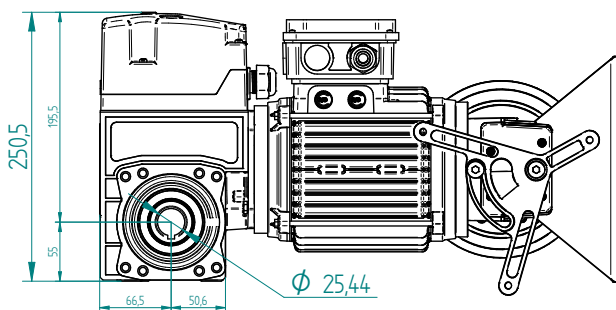
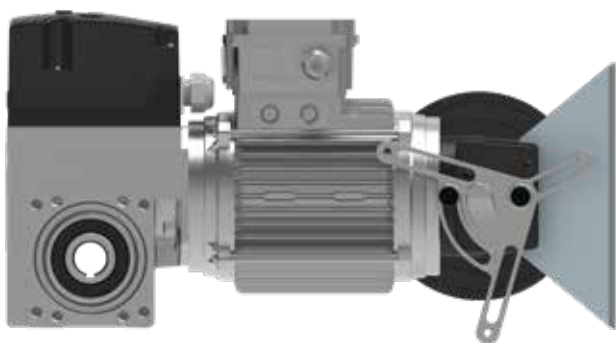
Control box dimensions:  
435x220x205 mm

For external frequency inverters, the following applies:

When the operating speed is increased, you must take account of the exponential decreased power of the operator. This extra load must be taken into account when sizing a drive, by reducing the available output torque. Increasing the drive speed by 10% reduces the admissible drive torque by 5%. In the case of higher drive speeds, reduce the drive torque accordingly (enquire if necessary).

# Pro-Line 28 FU 80% IP65

The PL28 FU 80% IP65 is the heavy duty brother of the PL28 FU. Suitable for doors of up to 28 m<sup>2</sup> or 450 kg which are used very intensively and/or in wet areas, whereby the opening speed is also important.



Technical specifications		
Max. door dimensions	m <sup>2</sup>	28
Max. door leaf weight	kg	450
Power supply	V	1~230
Operating frequency	Hz	25/87
Motor power	kW	0,55
Output speed	rpm	12/42
Protection class	IP	65
Starting torque	Nm	100
Cycles/Duty cycle	CPH	40/80%
Shaft options	Inch	1"
Control output voltage	V	24
Output current capacity	mA	360
Operating current	A	2,8
Control supply	V	230/400
Ambient temperature	C°	-5 / +40



## Control system CND1 FU

- CEE plug at the control unit
- 2 x slack cable safety device
- Closed controls with separate control pendant
- LED display, 1 potential-free relays (can be extended to 3)
- Motor cable length 5 metres
- 5-wire spiral cable including connection box
- 6-wire connecting cable and 2nd connection box
- Variable frequency control
- Soft start-soft stop function



Control box dimensions: 435x220x205 mm

For external frequency inverters, the following applies:

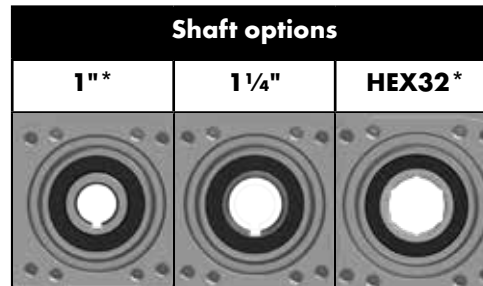
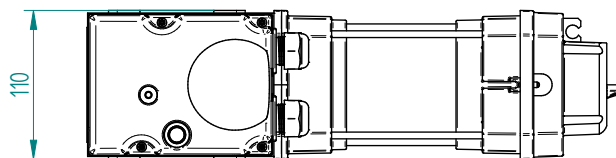
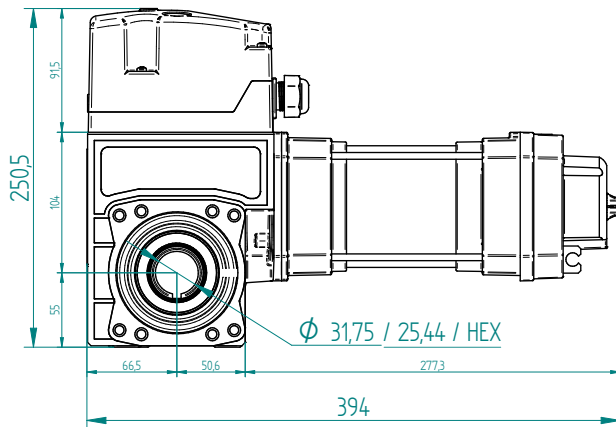
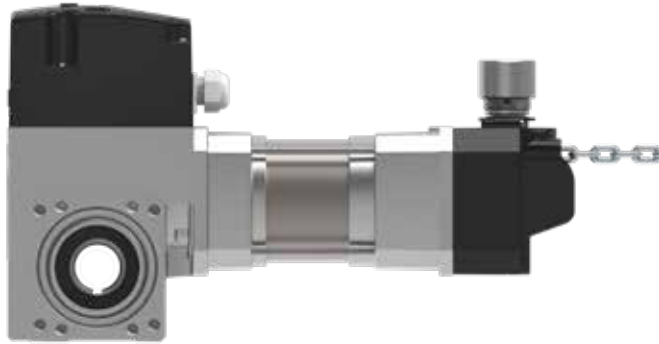
When the operating speed is increased, you must take account of the exponential decreased power of the operator. This extra load must be taken into account when sizing a drive, by reducing the available output torque. Increasing the drive speed by 10% reduces the admissible drive torque by 5%. In the case of higher drive speeds, reduce the drive torque accordingly (enquire if necessary).

Emergency operation	
KU	KE-Heavy
Crank	Chain

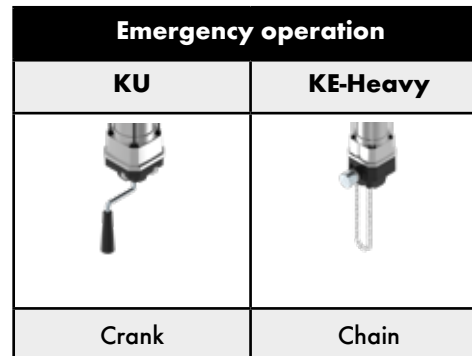


# Pro-Line 50

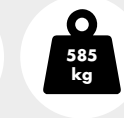
The PL50 is a powerful performer, suitable for doors of up to 50 m<sup>2</sup> or 585 kg. The PL50 has additional shaft options options, versus the PL28.



\*24 rpm



Technical specifications		
Max. door dimensions	m <sup>2</sup>	50
Max. door leaf weight	kg	585
Power supply	V	3~230/400
Operating frequency	Hz	50
Motor power	kW	0,55
Output speed	rpm	18 / 24
Protection class	IP	54
Starting torque	Nm	140
Cycles/Duty cycle	CPH	20/40%
Shaft options	Inch	1"/1 1/4"/HEX32
Control output voltage	V	24
Output current capacity	mA	360
Operating current	A	3,45/2,0
Control supply	V	230/400
Ambient temperature	C°	-5 / +40



## Control system CND1

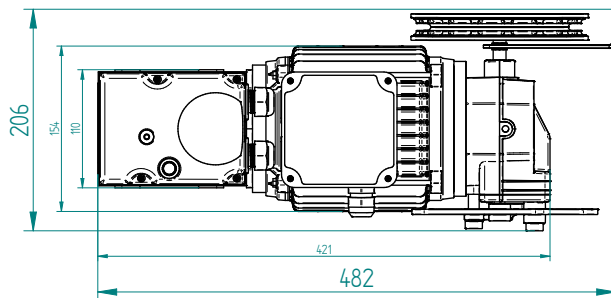
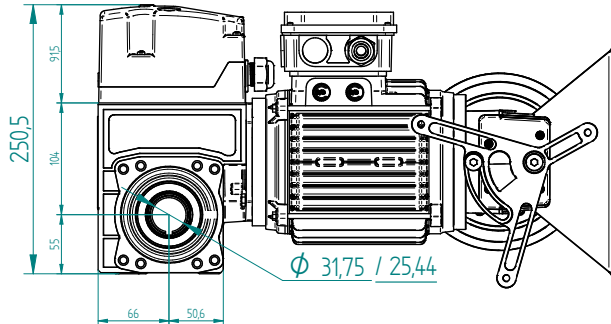
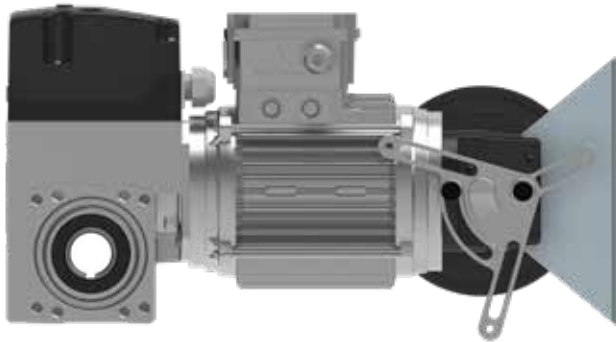
- CEE plug at the control unit with phase inverter
- 2 x slack cable safety device
- CND1 control system with control pendant
- LED display, 1 potential-free relays (can be extended to 3)
- Motor cable length 5 metres
- 5-wire spiral cable, including connection box
- 6-wire connecting cable and 2nd connection box

Control box dimensions:  
305x194x103 mm

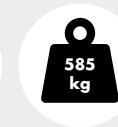


# Pro-Line 50 80% IP 65

The PL50 80% IP65 is the workhorse of the PL50 range, suitable for doors of up to 50 m<sup>2</sup> or 585 kg, used very intensively and/or in wet areas.



Technical specifications		
Max. door dimensions	m <sup>2</sup>	50
Max. door leaf weight	kg	585
Power supply	V	3~230/400
Operating frequency	Hz	50
Motor power	kW	0,55
Output speed	rpm	18
Protection class	IP	65
Starting torque	Nm	130
Cycles/Duty cycle	CPH	40/80%
Shaft options	Inch	1 1/4"
Control output voltage	V	24
Output current capacity	mA	360
Operating current	A	2,8/1,6
Control supply	V	230/400
Ambient temperature	C°	-5 / +40



## Control system CND1

- CEE plug at the control unit with phase inverter
- 2 x slack cable safety device
- Closed controls with separate control pendant
- LED display, 1 potential-free relays (can be extended to 3)
- Motor cable length 5 metres
- 5-wire spiral cable, including connection box
- 6-wire connecting cable and 2nd connection box



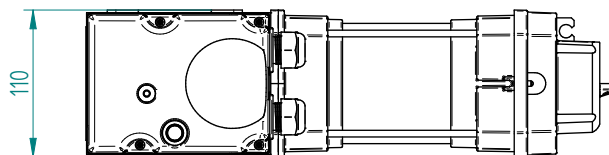
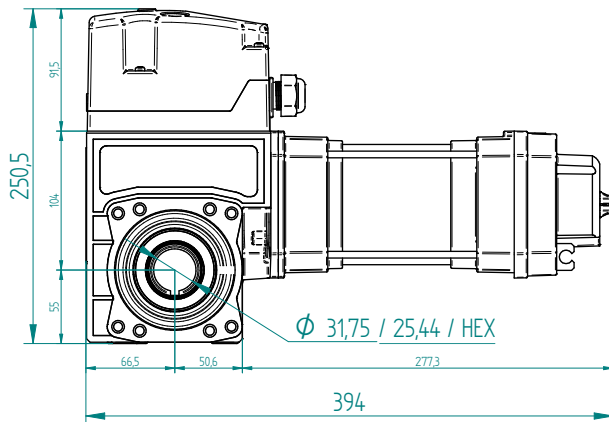
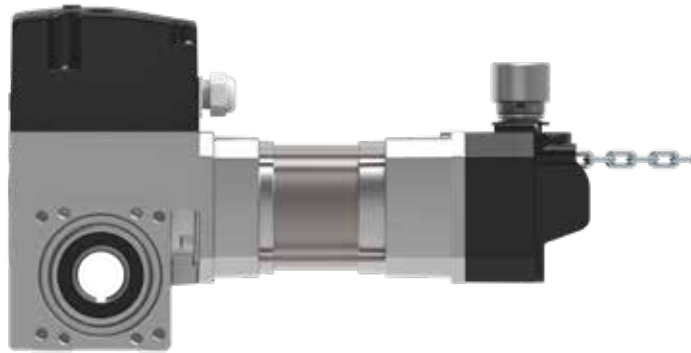
Control box dimensions: 305x194x103 mm

## Emergency operation

KU	KE-Heavy
Crank	Chain

# Pro-Line 50 FU

The PL50 FU is the speedy brother of the standard PL50, suitable for doors of up to 50 m<sup>2</sup> or 585 kg. The frequency controller incorporated in the control box can be variably adjusted and has a soft start-soft stop function.

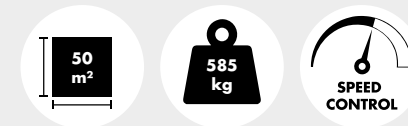


Shaft options		
1"*	1 1/4"	HEX32*

\* 12-42 rpm

Emergency operation	
KU	KE
Crank	Chain

Technical specifications		
Max. door dimensions	m <sup>2</sup>	50
Max. door leaf weight	kg	585
Power supply	V	1~230
Operating frequency	Hz	25/87
Motor power	kW	0,55
Output speed	rpm	9-31 / 12-42
Protection class	IP	54
Starting torque	Nm	140
Cycles/Duty cycle	CPH	20/40%
Shaft options	Inch	1"/1 1/4"/HEX32
Control output voltage	V	24
Output current capacity	mA	360
Operating current	A	3,45
Control supply	V	230/400
Ambient temperature	C°	-5 / +40



## Control system CND1 FU

- CEE plug at the control unit
- 2 x slack cable safety device
- CND1 FU control system with control pendant
- LED display, 1 potential-free relays (can be extended to 3)
- Motor cable length 5 metres
- 5-wire spiral cable including connection box
- 6-wire connecting cable and 2nd connection box
- Variable frequency control
- Soft start-soft stop function



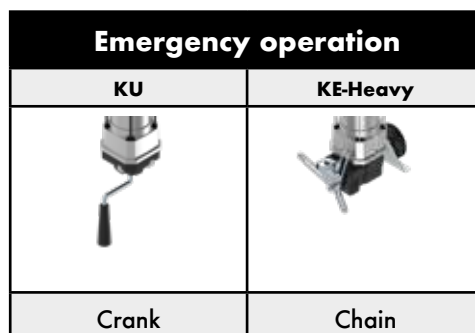
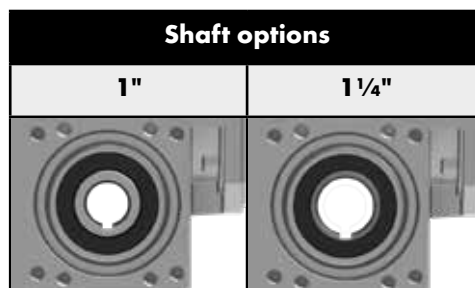
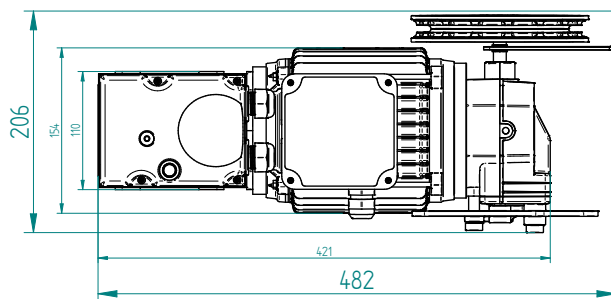
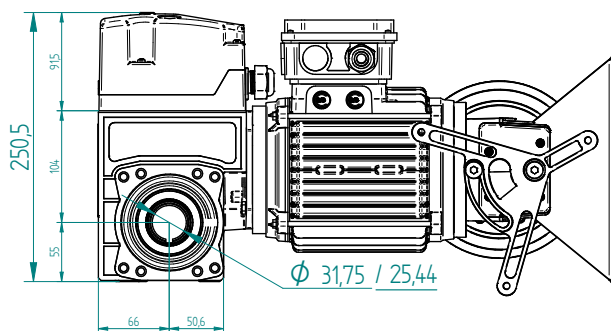
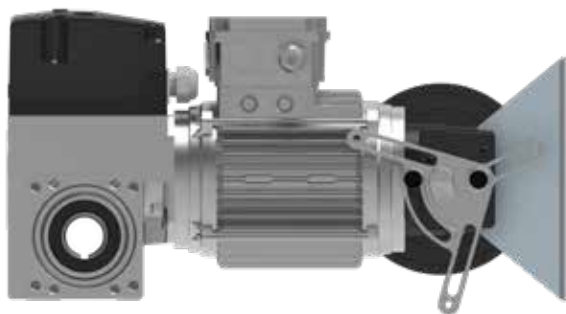
Control box dimensions: 435x220x205 mm

For external frequency inverters, the following applies:

When the operating speed is increased, you must take account of the exponential decreased power of the operator. This extra load must be taken into account when sizing a drive, by reducing the available output torque. Increasing the drive speed by 10% reduces the admissible drive torque by 5%. In the case of higher drive speeds, reduce the drive torque accordingly (enquire if necessary).

# Pro-Line 50 FU 80% IP 65

The PL50 FU 80% IP65 is the heavy duty brother of the PL50 FU. Suitable for doors of up to 50 m<sup>2</sup> or 585 kg which are used very intensively and/or in wet areas, whereby the opening speed is also important.



Technical specifications		
Max. door dimensions	m <sup>2</sup>	50
Max. door leaf weight	kg	585
Power supply	V	1~230
Operating frequency	Hz	25/87
Motor power	kW	0,55
Output speed	rpm	9/31
Protection class	IP	65
Starting torque	Nm	130
Cycles/Duty cycle	CPH	40/80%
Shaft options	Inch	1" / 1 1/4"
Control output voltage	V	24
Output current capacity	mA	360
Operating current	A	2,8
Control supply	V	230/400
Ambient temperature	C°	-5 / +40



## Control system CND1 FU

- CEE plug at the control unit
- 2 x slack cable safety device
- Closed controls with separate control pendant
- LED display, 1 potential-free relays (can be extended to 3)
- Motor cable length 5 metres
- 5-wire spiral cable including connection box
- 6-wire connecting cable and 2nd connection box
- Variable frequency control
- Soft start-soft stop function

Control box dimensions: 435x220x205 mm

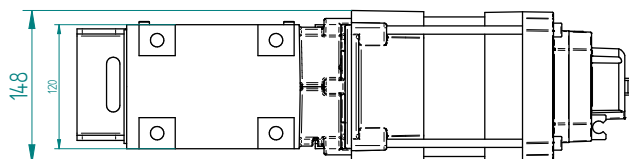
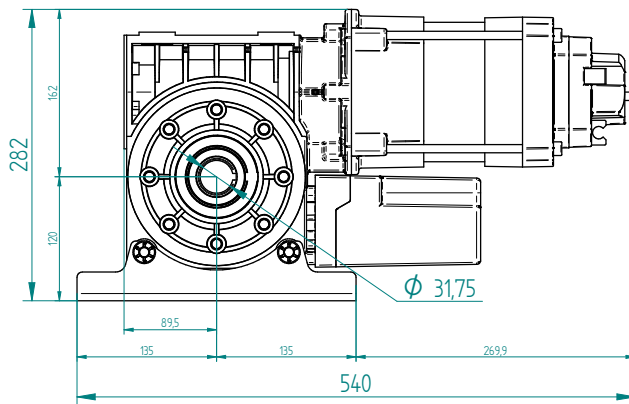
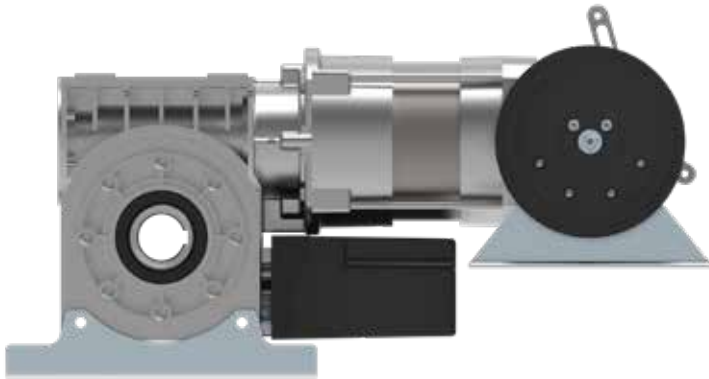


For external frequency inverters, the following applies:

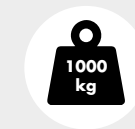
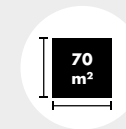
When the operating speed is increased, you must take account of the exponential decreased power of the operator. This extra load must be taken into account when sizing a drive, by reducing the available output torque. Increasing the drive speed by 10% reduces the admissible drive torque by 5%. In the case of higher drive speeds, reduce the drive torque accordingly (enquire if necessary).

# Pro-Line 70

The PL70 is the industrial beast among the operators, suitable for doors of up to 70 m<sup>2</sup> or 1,000 kg.



Technical specifications		
Max. door dimensions	m <sup>2</sup>	70
Max. door leaf weight	kg	1000
Power supply	V	3~230/400
Operating frequency	Hz	50
Motor power	kW	1,5
Output speed	rpm	14
Protection class	IP	54
Starting torque	Nm	450
Cycles/Duty cycle	CPH	20/40%
Shaft options	Inch	1¼"
Control output voltage	V	24
Output current capacity	mA	360
Operating current	A	6,4/3,7
Control supply	V	230/400
Ambient temperature	C°	-5 / +40



## Control system CND1

- CEE plug at the control unit with phase inverter
- 2 x slack cable safety device
- CND1 control system with control pendant
- LED display, 1 potential-free relays (can be extended to 3)
- Motor cable length 5 metres
- 5-wire spiral cable, including connection box
- 6-wire connecting cable and 2nd connection box

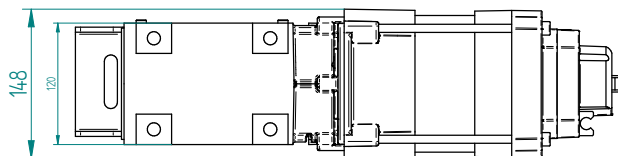
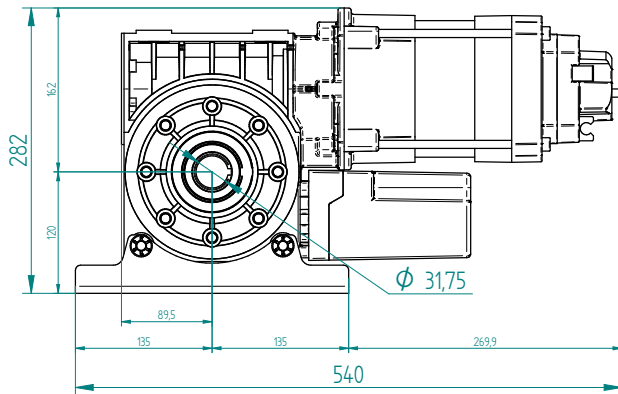


Control box dimensions:  
305x194x103 mm

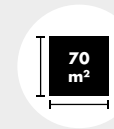
Emergency operation	
KU	KE-Heavy
Crank	Chain

# Pro-Line 70 FU

The PL70 FU is the speedy brother of the standard PL70, suitable for doors of up to 70 m<sup>2</sup> or 1,000 kg. The frequency controller incorporated in the control box can be variably adjusted and has a soft-start-soft-stop function.



Technical specifications		
Max. door dimensions	m <sup>2</sup>	70
Max. door leaf weight	kg	1000
Power supply	V	1~230
Operating frequency	Hz	25/87
Motor power	kW	1,5
Output speed	rpm	7/24
Protection class	IP	54
Starting torque	Nm	450
Cycles/Duty cycle	CPH	20/40%
Shaft options	Inch	1 1/4"
Control output voltage	V	24
Output current capacity	mA	360
Operating current	A	6,4
Control supply	V	230/400
Ambient temperature	C°	-5 / +40



## Control system CND1 FU HEAVY

- CEE plug at the control unit
- 2 x slack cable safety device
- CND1 FU control system with control pendant
- LED display, 1 potential-free relays (can be extended to 3)
- Motor cable length 5 metres
- 5-wire spiral cable including connection box
- 6-wire connecting cable and 2nd connection box
- Variable frequency control
- Soft start-soft stop function



Control box dimensions: 435x220x205 mm

## Emergency operation

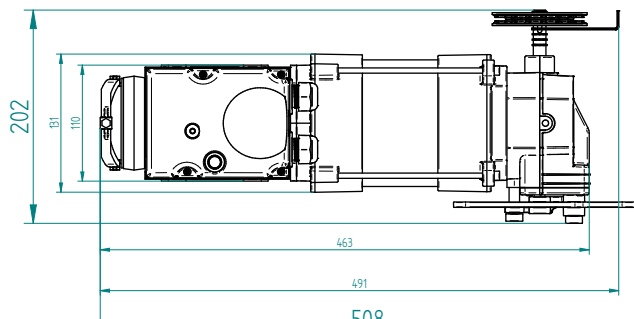
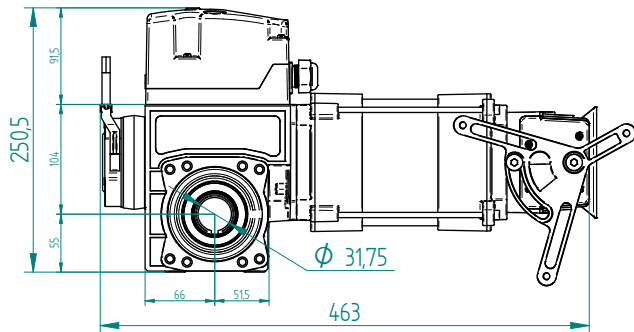
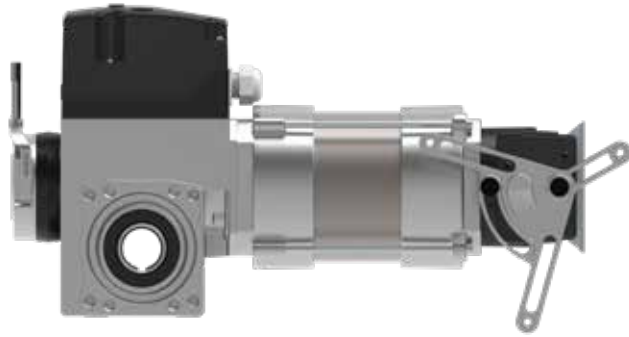
KU	KE-Heavy
Crank	Chain

For external frequency inverters, the following applies:

When the operating speed is increased, you must take account of the exponential decreased power of the operator. This extra load must be taken into account when sizing a drive, by reducing the available output torque. Increasing the drive speed by 10% reduces the admissible drive torque by 5%. In the case of higher drive speeds, reduce the drive torque accordingly (enquire if necessary).

# Pro-Line SPRINT

The PL SPRINT, the name says enough, is a super-speedy operator, developed specially for the SPRINT sectional door, providing an opening speed of 1 metre per second. Suitable for doors of up to 25 m<sup>2</sup> or 350 kg.



Technical specifications		
Max. door dimensions	m <sup>2</sup>	25
Max. door leaf weight	kg	350
Power supply	V	1~230
Operating frequency	Hz	25/87
Motor power	kW	1
Output speed	rpm	46/165
Protection class	IP	54
Starting torque	Nm	75
Cycles/Duty cycle	CPH	20/40%
Shaft options	Inch	1 1/4"
Motor brake	Nm	5
Control output voltage	V	24
Output current capacity	mA	360
Operating current	A	5,2
Control supply	V	230/400
Ambient temperature	C°	-5 / +40



## Control system CND1 FU HEAVY

- CEE plug at the control unit
- 2 x slack cable safety device
- CND1 FU control system with control pendant
- LED display, 1 potential-free relays (can be extended to 3)
- Motor cable length 5 metres
- Wireless signal transfer for slack cable switches
- 6-wire connecting cable and 2nd connection box
- Variable frequency control
- Soft start-soft stop function

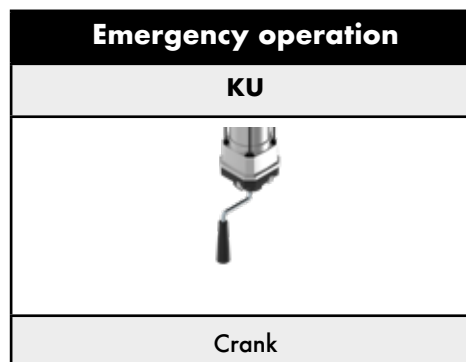
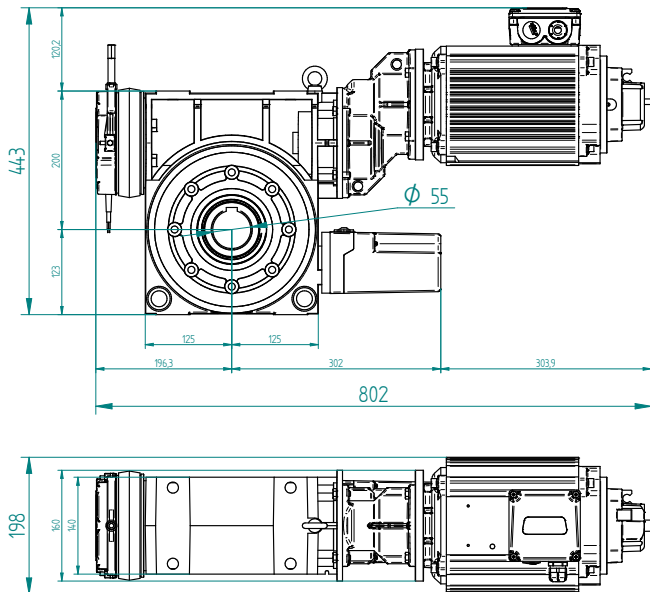
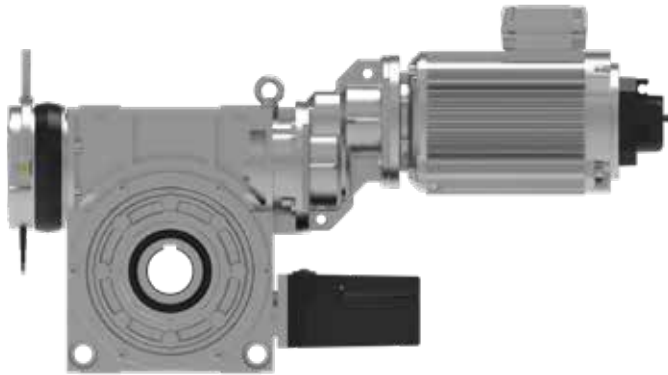


Control box dimensions: 435x220x205 mm

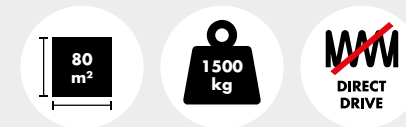
Emergency operation	
KU	KE-Heavy
Crank	Chain

# Pro-Line D-1500

The PL D-1500 is the operator for the winch-roller system, a springless system. This big boy easily opens doors of up to 80 m<sup>2</sup> or 1500 kg without the need for a spring system.



Technical specifications		
Max. door dimensions	m <sup>2</sup>	80
Max. door leaf weight	kg	1500
Power supply	V	3~ 400
Operating frequency	Hz	50
Motor power	kW	3
Output speed	rpm	10
Protection class	IP	54
Starting torque	Nm	2000
Cycles/Duty cycle	CPH	20/40%
Shaft options	mm	55
Motor brake	Nm	40
Control output voltage	V	24
Output current capacity	mA	360
Operating current	A	6,5
Control supply	V	230/400
Ambient temperature	C°	-5 / +40



## Control system CND1 heavy

- CEE plug at the control unit with phase inverter
- 2 x slack cable safety device
- CND1 control system with control pendant
- LED display, 1 potential-free relays (can be extended to 3)
- Motor cable length 5 metres
- 5-wire spiral cable, including connection box
- 6-wire connecting cable and 2nd connection box

Control box dimensions: 305x194x103 mm





# SCOPE OF DELIVERY

Standard with every operator:

**Spiral cable**

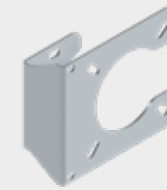


**6-wire connection cable**

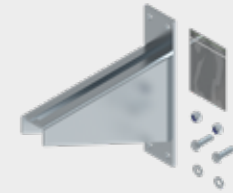


**Motor bracket**

Pro-Line 28/50:



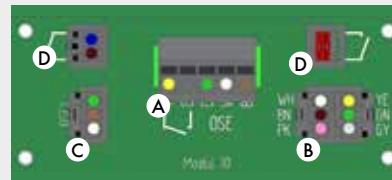
Pro-Line 70:



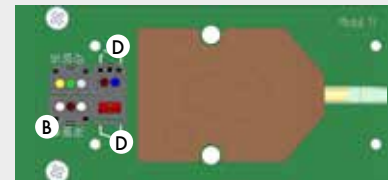
**Junction box**



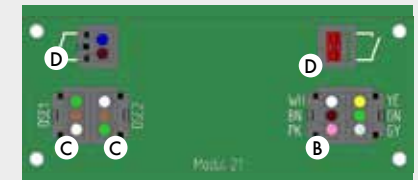
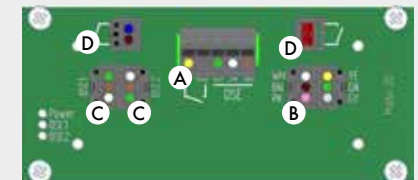
**OPTO/Light curtain**



**DW**



**OPTO DUO**



A Spiral cable

B Connection cable




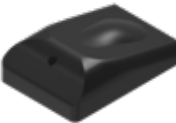

C OPTO / OSE1 / OSE2

D SCB L/R / PD switch








## Pro-Line CND1 Control options

 <p><b>Plug-in receiver</b> Capacity: 195</p> <p>4271</p>	 <p><b>Plug-in</b> PCB for traffic light</p> <p>4272</p>	 <p><b>Plug-in</b> Relay module</p> <p>4280</p>	 <p><b>Emergency stop switch</b> Including 2 wires</p> <p>4643</p>	 <p><b>Main power switch</b> Including 4 wires</p> <p>4642</p>	 <p><b>Summer/winter switch</b> Including wire</p> <p>4257</p>
--	---	--	--	---	---

## Pro-Line CND1 Wireless operating options

 <p><b>Transmitter</b> 2 channel</p> <p>4274</p>	 <p><b>Transmitter</b> 4 channel</p> <p>4275</p>	 <p><b>Transmitter</b> 24 channel</p> <p>4273</p>	 <p><b>External receiver</b> <b>868 Mhz</b> Including wire</p> <p>4268</p>	 <p><b>Wired operating options</b> 4 kanaals / 868 Mhz / IP54</p> <p>4285</p>
---	---	--	--	--

## Pro-Line Wired operating options

 <p><b>Key switch</b> <b>Surface mount</b> Pulse</p> <p>5910</p>	 <p><b>Push button up-stop-down</b> Including 5m wire / IP54</p> <p>5905</p>	 <p><b>Push button up-stop-down</b> Including 5m wire / IP67</p> <p>5906</p>	 <p><b>Radar motion detector</b> Including 10m wire</p> <p>5878</p>	 <p><b>Radar motion &amp; presence sensor</b> Including 10m wire</p> <p>5823</p>	 <p><b>TOF-Spot 6m</b> Including bracket and marker</p> <p>5369</p>	 <p><b>Pull switch</b> Without rope</p> <p>5907</p>
---	---	---	---	---	--	--

## Traffic lights



**Flashing light orange**  
LED | 24V

4283



**Traffic light orange**  
LED | 230V 160 x 160 x 180 mm | Ø 125 mm

4276



**Traffic light red**  
LED | 230V  
160 x 160 x 180 mm | Ø 125 mm

4277



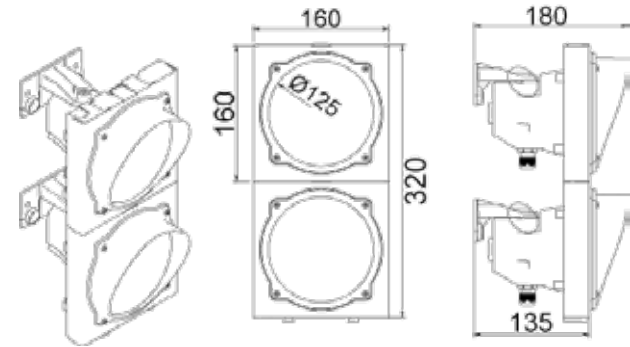
**Traffic light green**  
LED | 230V  
160 x 160 x 180 mm | Ø 125 mm

4278



**Traffic light green-red**  
LED | 230V  
320 x 160 x 180 mm | Ø 125 mm

4282



## Pro-Line Mechanical accessories



**Operator bracket**  
for Pro-Line 70

C9611



**Operator bracket**  
for Pro-Line 70

C9982



**Control unit fitting bracket complete**  
for control unit 4651 + 4259

C9613



**Console**  
for pull switch 5907

5828



**Axle chain drive / chain transmission**  
1"

5499



**Chain transmission**  
C1010 - 1" / C 9844 - 1/4"

4278



**Adapter sleeve**  
1/4" to 1"

5695

## Pro-Line Extra options



**Two way traffic module**

4270



**Emergency disconnection**  
set with housing

5389



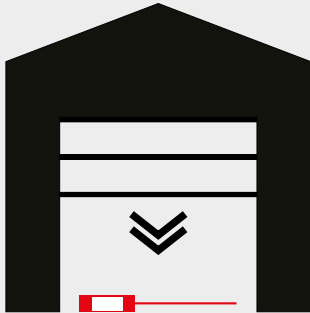
**Induction loop receiver**  
2 channel

4279

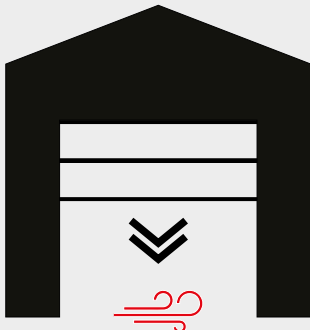
# SAFETY OPTIONS

## Safety edge

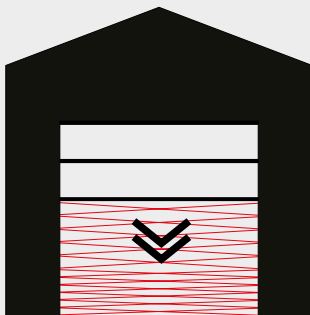
**OPTO**



**DW**



**Light curtain**



## Pass-through security



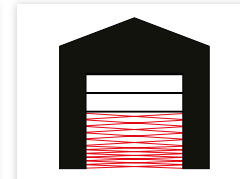
**Pass-through security photocell reflector**  
Including brackets

5863



**Photocell security transmitter/receiver**  
Including brackets

5534



**Light curtain PNP**



**Protection pass-through security photocell**  
for 5534/5863

5870



**Protection pass-through security reflector**  
for 5863

5871

## Slack cable device



**Slack cable device**

for adjustable  
bottom bracket

Pro-Line  
5630



**Slack cable device**

for CBD 3194 L/R

C9691 L/R



**Slack cable device**

for CBD 3184/3185

3178 L/R